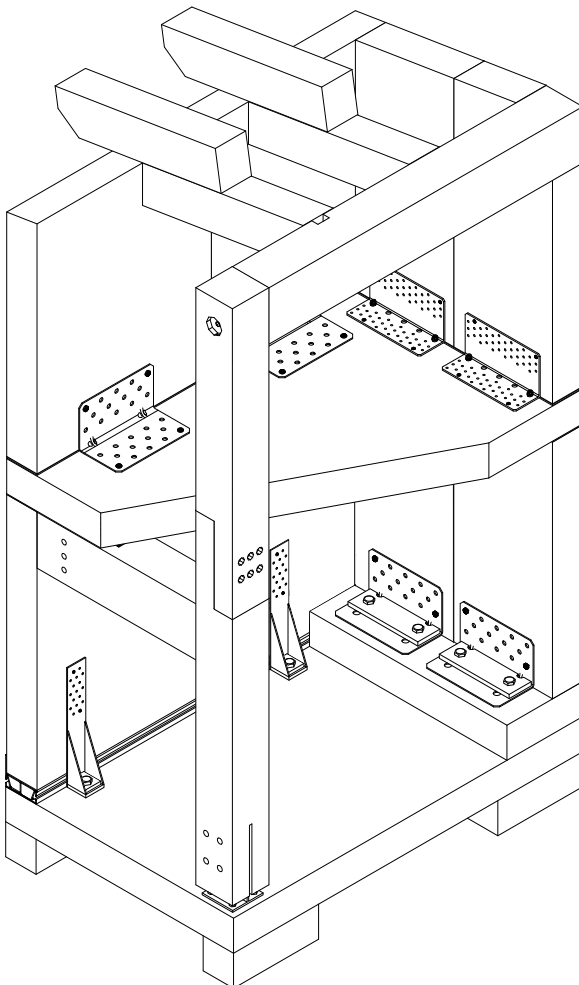
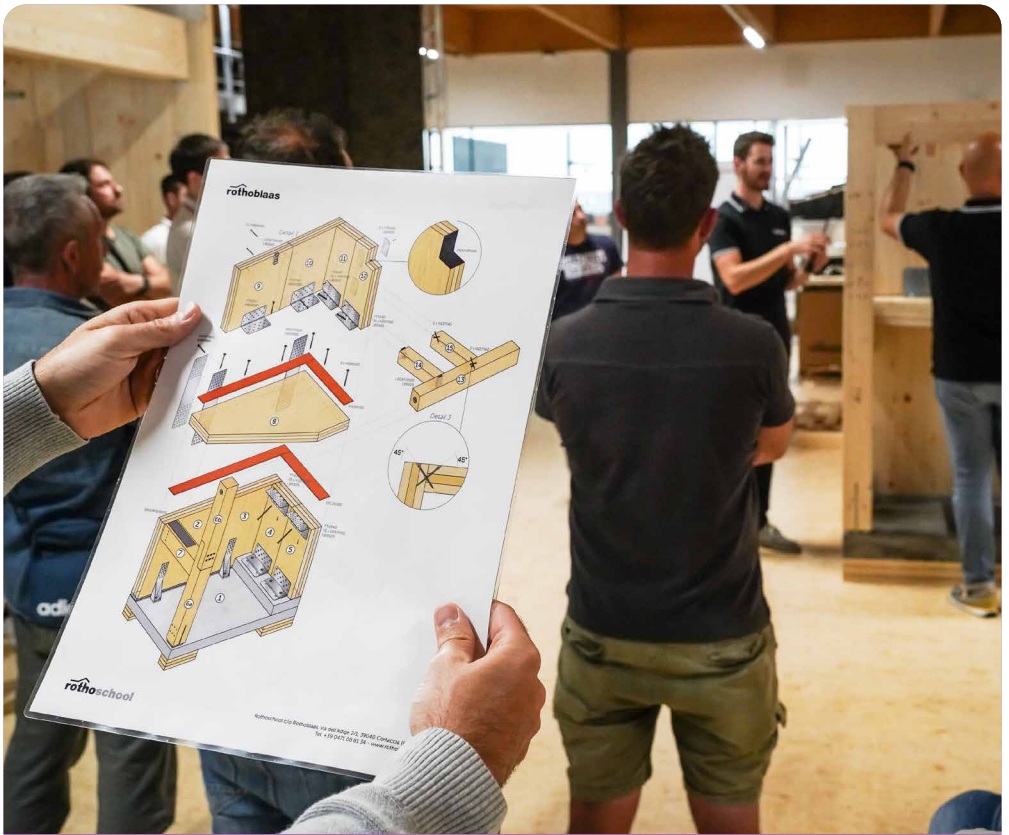


# SCHOOLHOUSE

## INSTALLATION MANUAL



**MASS  
TIMBER**  
version



## 3D EXPLODED VIEW AVAILABLE ONLINE

To view the 3D exploded version of the display, go to the dedicated section on the official website:

[www.rothoblaas.com](http://www.rothoblaas.com)



## Want to know more?



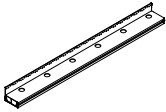
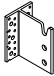

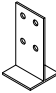


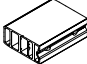
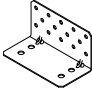
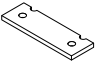

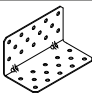
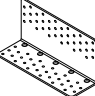
To view and download all product technical data sheets and catalogues, visit the official website:




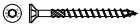


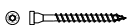

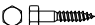
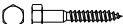
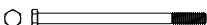
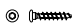

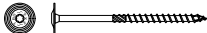

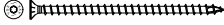
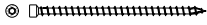
[www.rothoblaas.com](http://www.rothoblaas.com)



# COMPONENTS LIST

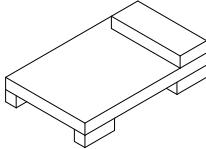
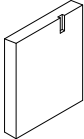
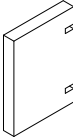
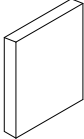
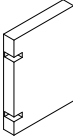
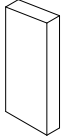
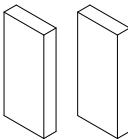
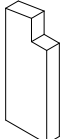

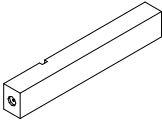

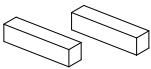
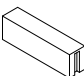
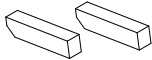
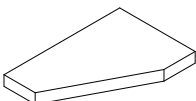
## PRODUCTS

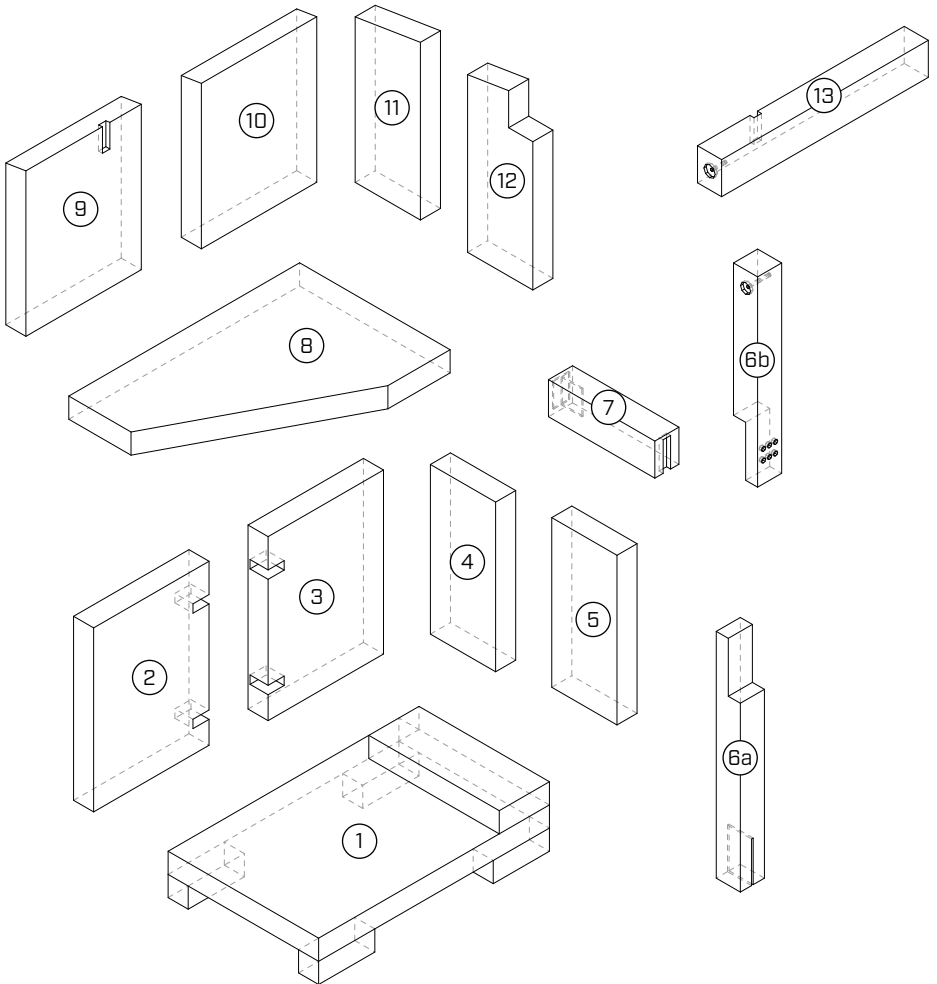
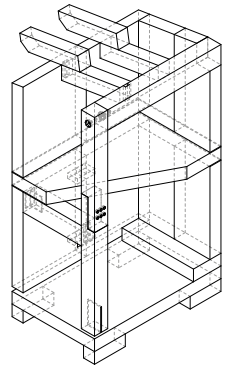
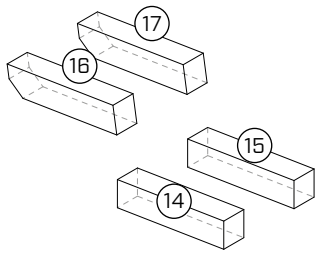
CODE		quantity
XYL35100		1
05ALADIN95		1
05ALUSTART100		1
ALUMID120L		1
DISCF55		1
F70100L		1
LOCKT35100		3
SHARP501200		1
SLOT90		2
TCS240		2
TCW240		2
TTP200		2
TTS240		2
TTV240		4

CODE		quantity
WHT15		2
WHTW6016		2
WHTPT600		2
HBS8100		6
HBS8140		100
HBS8220		20
HBSPL880		100
KOP850		4
KOP1250		6
KOP1680		6
KOS12140B		1
LB5550		400
STA12110B		10
TBS8180		1
ULS13444		1
VGS11150		10
VGZ7140		4

# COMPONENTS LIST


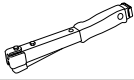

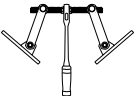
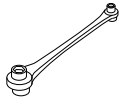





## STRUCTURE


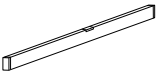

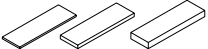
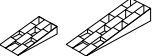
NUMBER	description		NUMBER	description	
1	BASE		9	SECOND FLOOR WALL	
2	FIRST FLOOR WALL		10	SECOND FLOOR WALL	
3	FIRST FLOOR WALL		11	SECOND FLOOR WALL	
4 - 5	FIRST FLOOR WALL		12	SECOND FLOOR WALL	
6a	FIRST FLOOR COLUMN		13	SECOND FLOOR BEAM	
6b	SECOND FLOOR COLUMN		14 - 15	SECOND FLOOR BEAM	
7	FIRST FLOOR BEAM		16 - 17	SECOND FLOOR BEAM	
8	FIRST FLOOR				



# COMPONENTS LIST

## INSTALLATION TOOLS

CODE	description	
A18	cordless drill driver	
HAMMER STAPLER 47	hammer stapler	
PICARD 600 (PIC600)	hammer	
GEKO	panel puller	
CRICKET	cricket	
WASP	hook	
GIRAFFE (GIR2200)	assembly support	
MARLIN	cutter	
TORQUE LIMITER		
BIT BOX HT	bits	
SOCKET	bushings and bits	-

CODE	description	
LEWIS	twist drill bits	
HERON (HER050)	level	
RBMET	folding ruler	
SHIM	spacers	
WEDGES	levelling wedges	

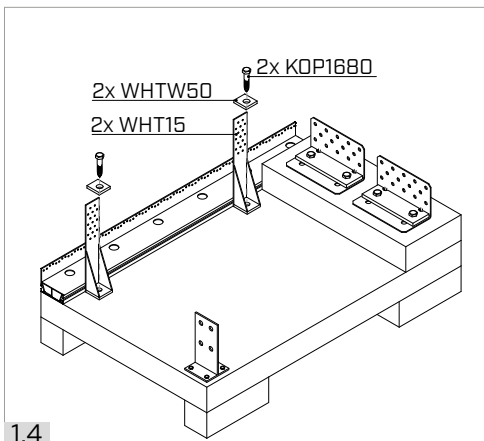
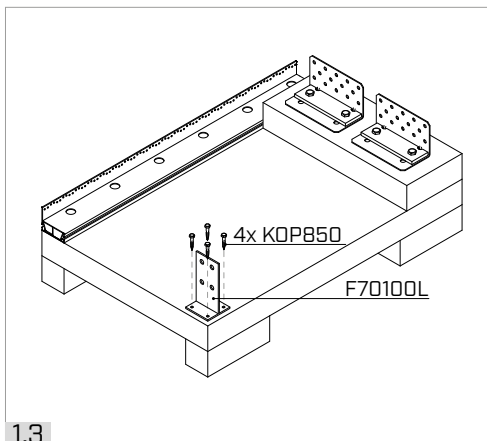
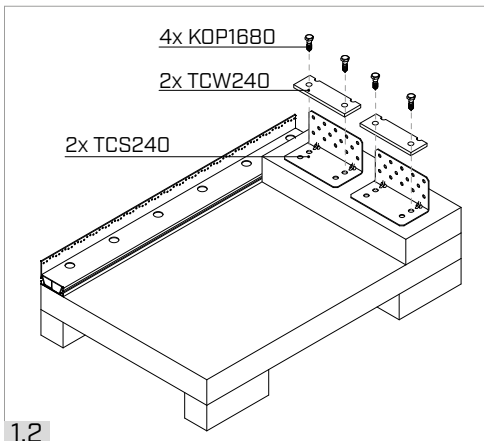
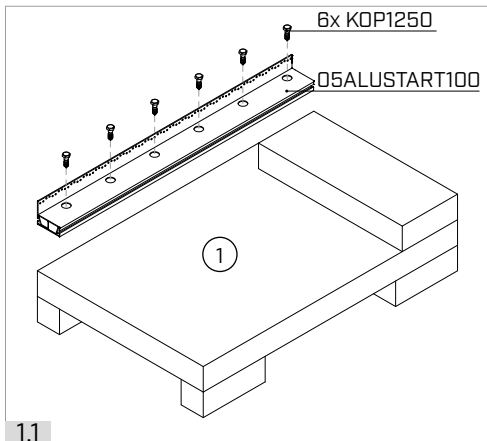
## ADDITIONAL TOOLS

grey spray can

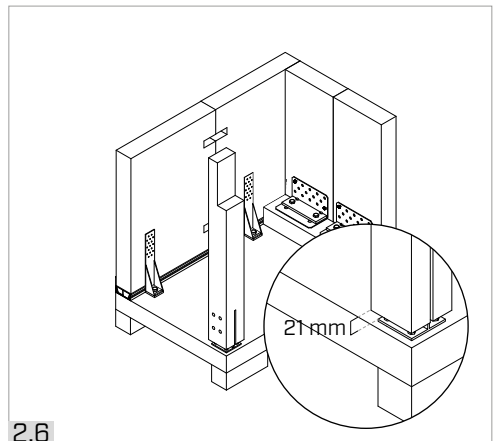
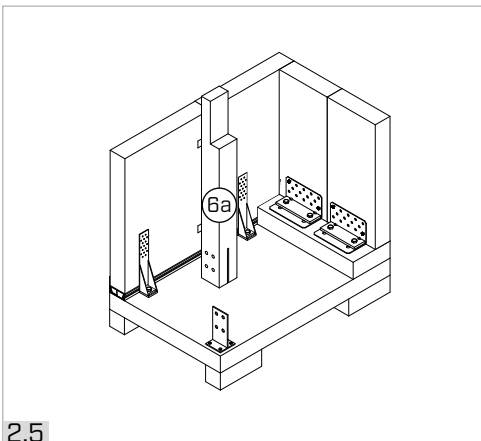
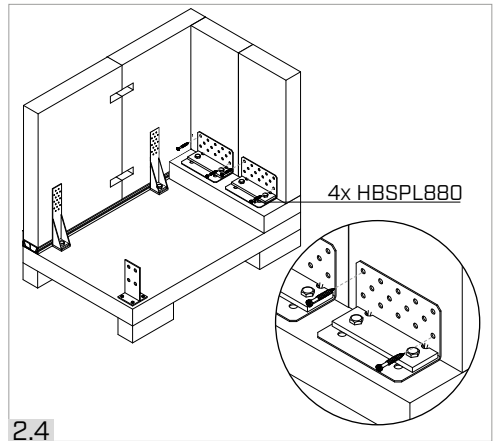
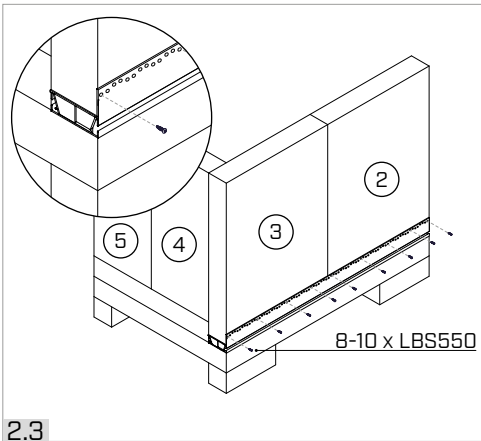
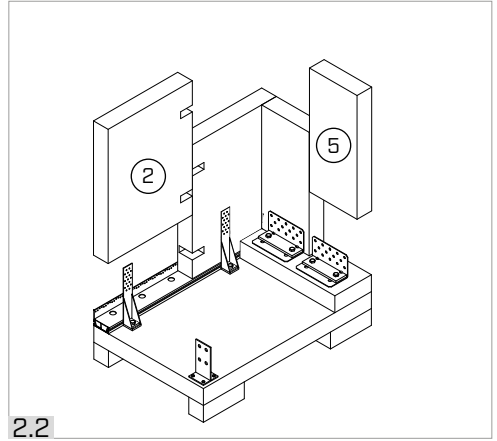
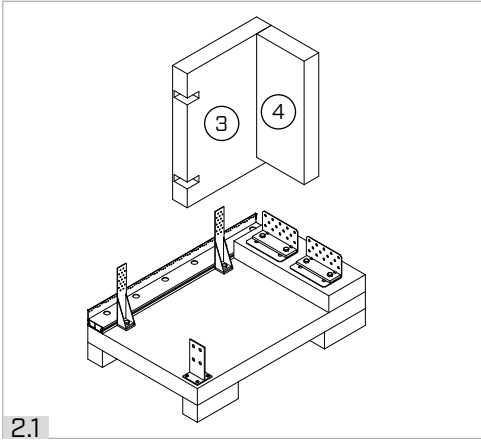
Ladder

Paper tape

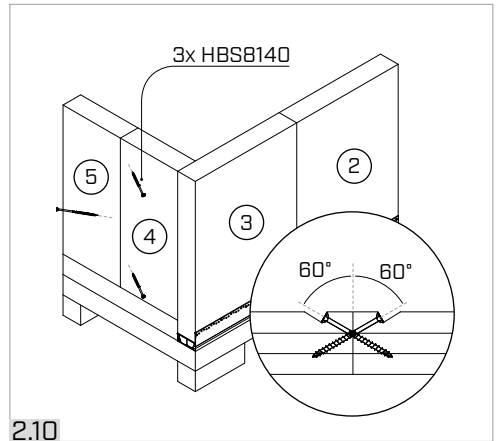
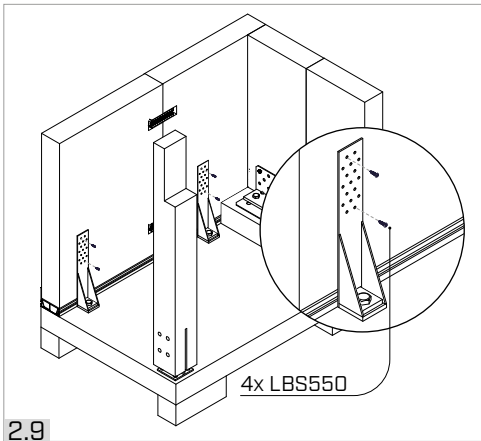
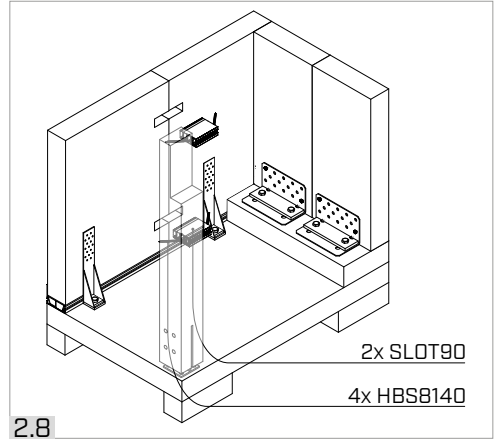
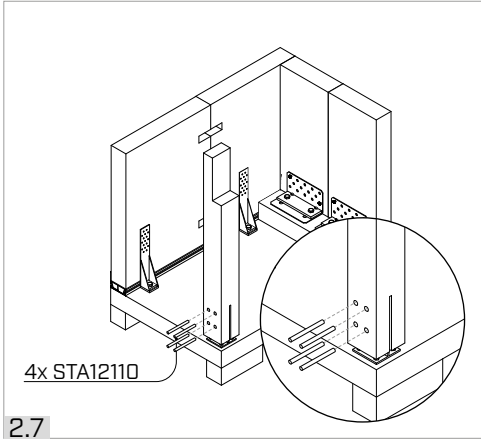
# 1 SET UP OF THE FOUNDATION



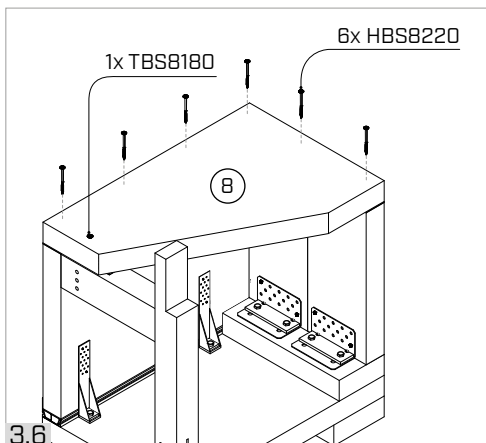
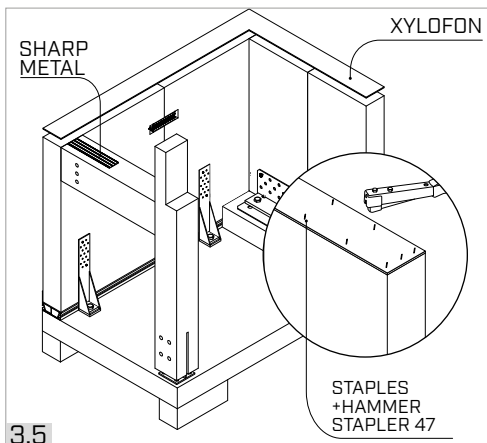
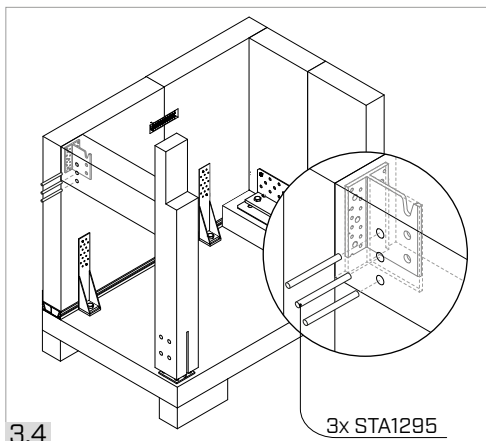
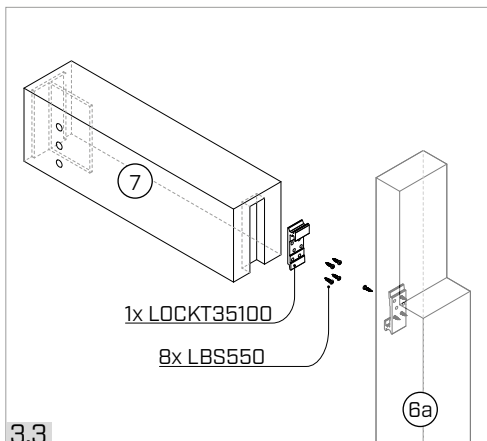
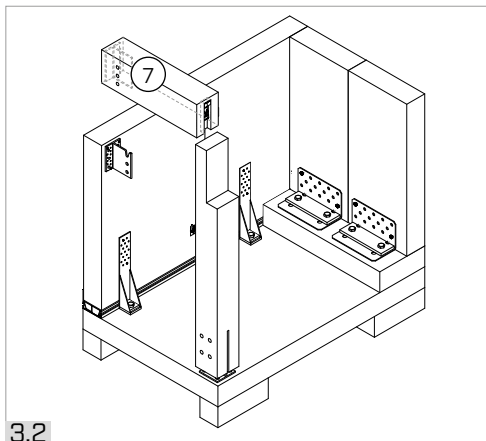
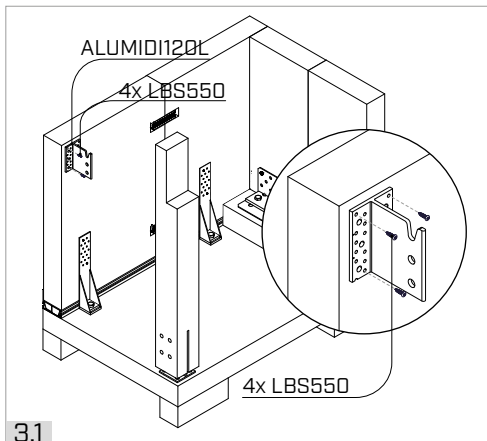
## 2 FIRST FLOOR WALLS



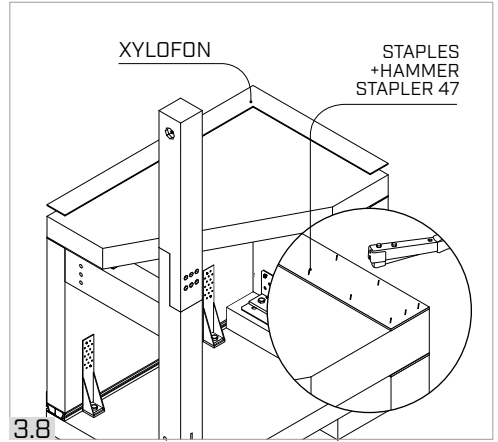
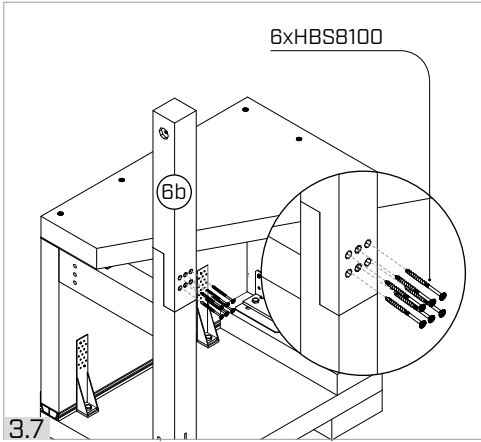
## 2 FIRST FLOOR WALLS



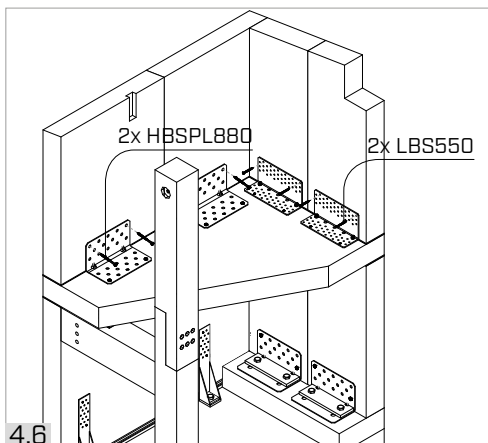
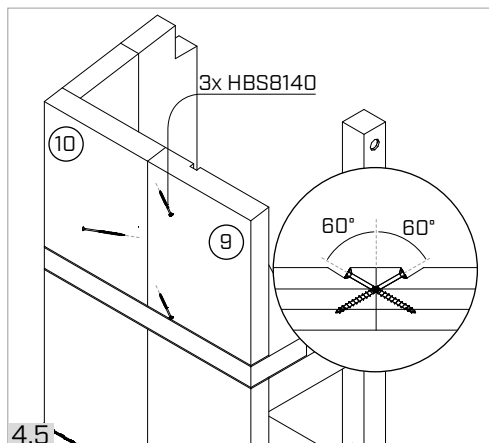
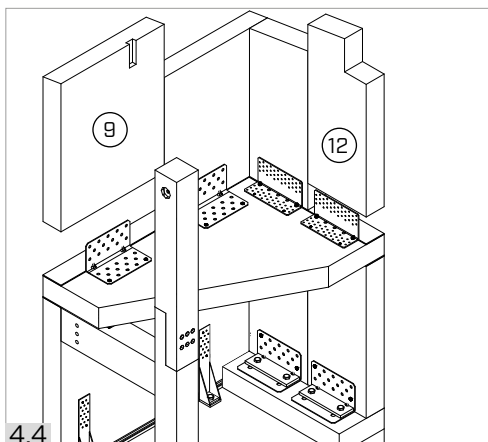
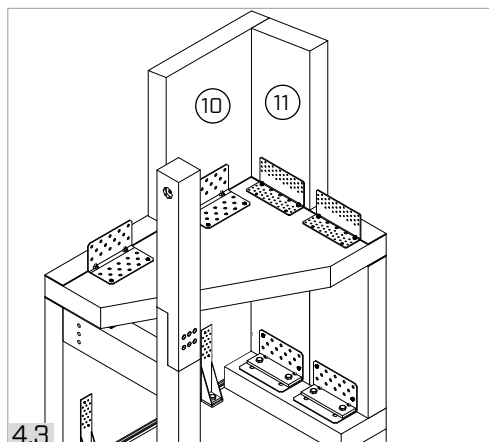
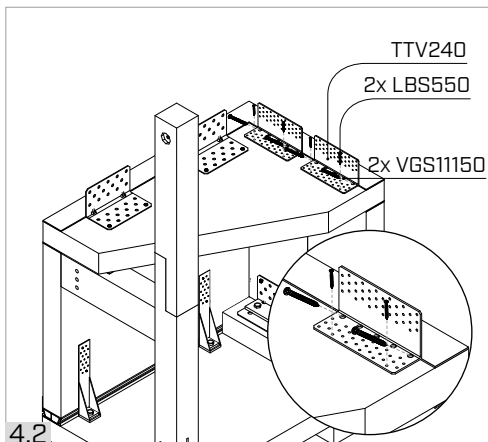
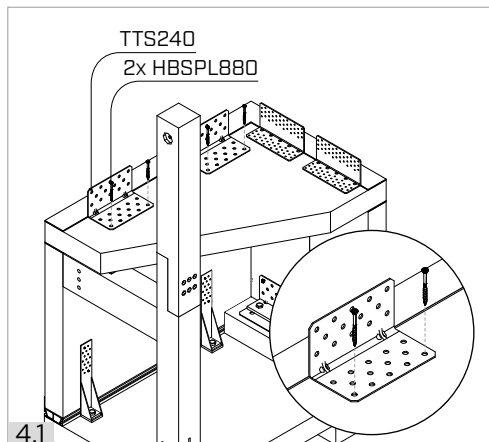
### 3 BEAMS AND FLOOR



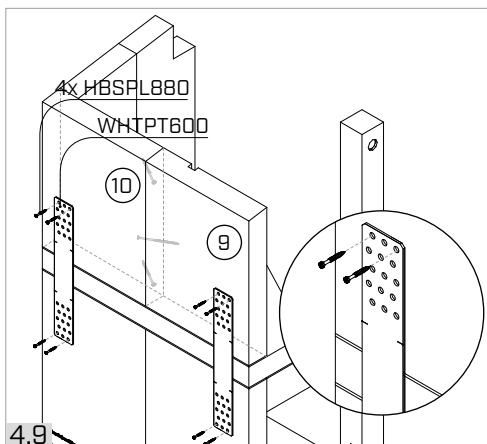
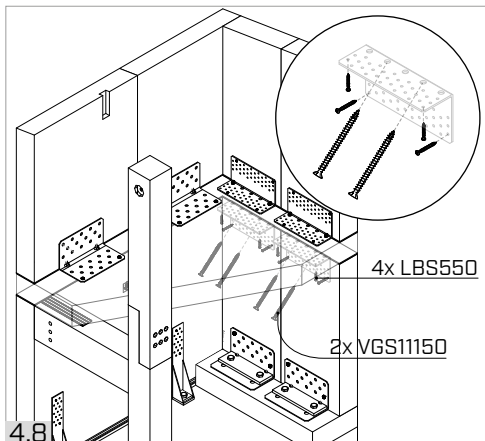
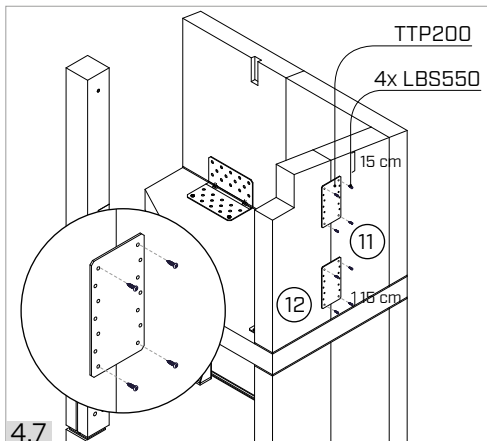
### 3 BEAMS AND FLOOR



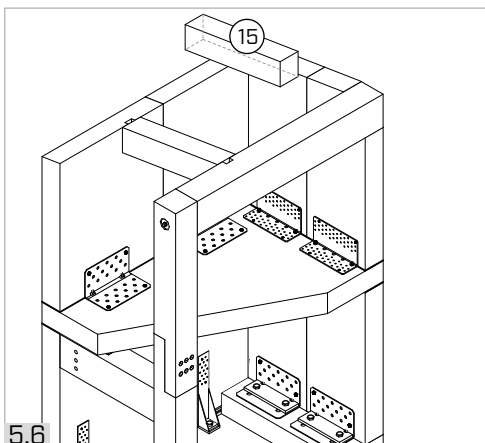
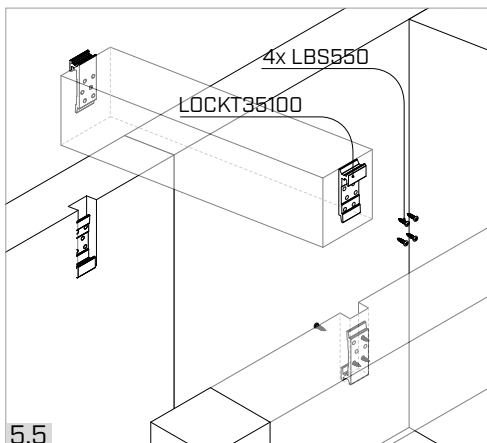
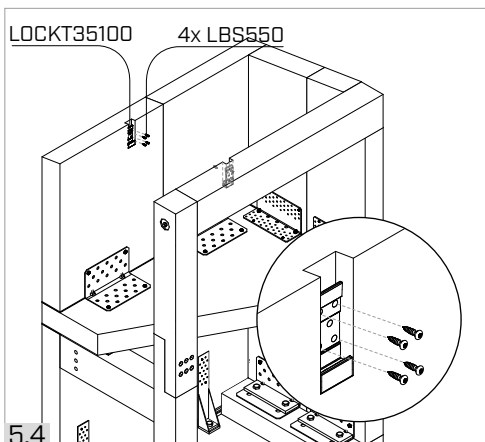
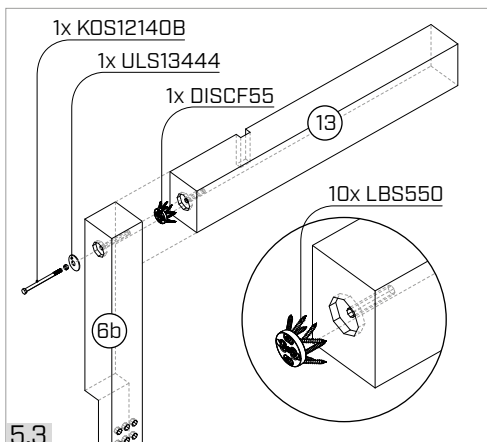
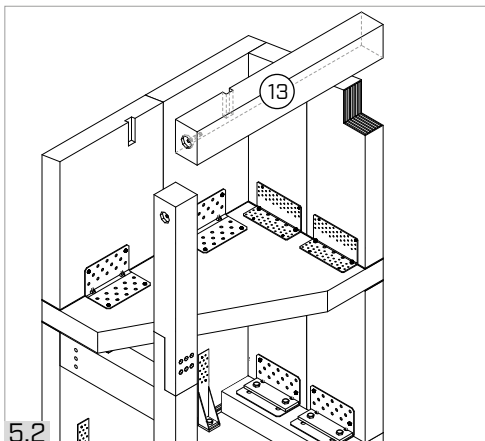
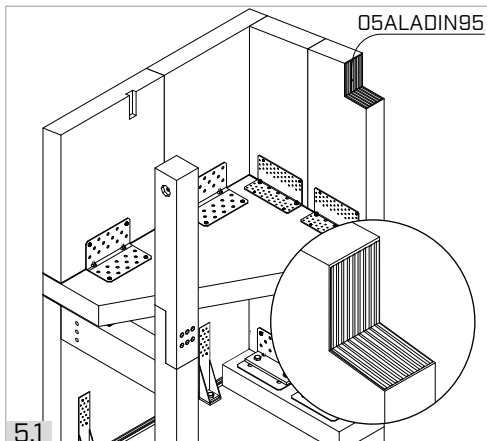
## 4 SECOND FLOOR WALLS



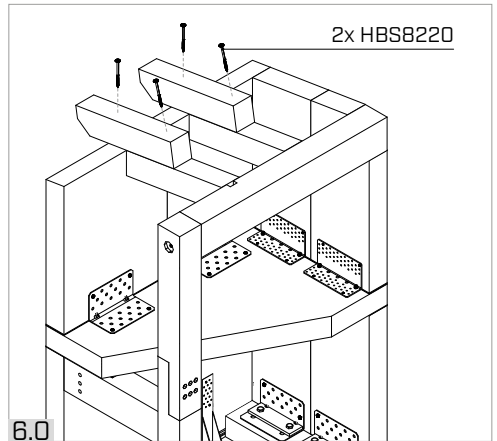
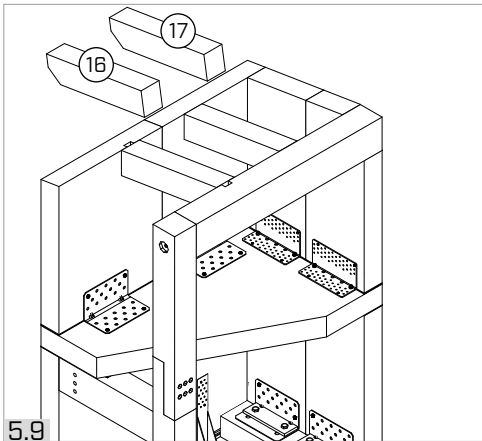
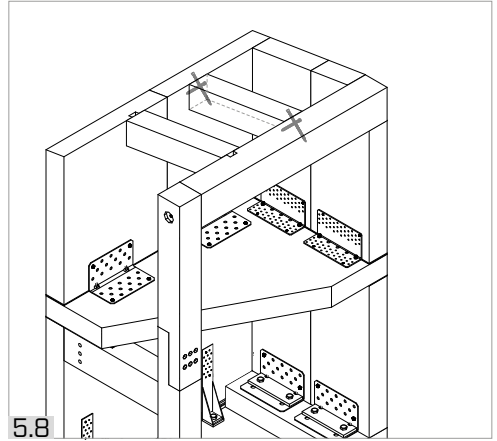
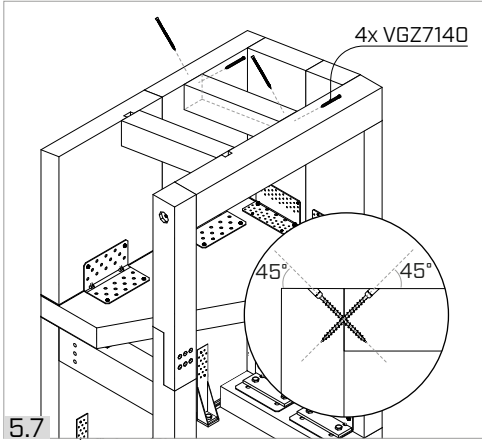
## 4 SECOND FLOOR WALLS



## 5 ROOF STRUCTURE



## 5 ROOF STRUCTURE



# **ROTHO BLAAS SRL**

rev1.3\_03-26

Via dell'Adige N.2/1 | 39040, Cortaccia (BZ) | Italia  
Tel: +39 0471 81 84 00 | Fax: +39 0471 81 84 84  
info@rothoblaas.com | www.rothoblaas.com

